



Technical Information



The Collection



dispelling traditions

Contents

Introduction	3
General Information	4
Composition	4
Sheet Sizes	4
Weight	4
Surface Finish	5
Grades	6
Performance Standards	7
Resistance to Chemicals	7
Thermal Properties	7
Maintenance and Cleaning	8
Fabrication	8
Handling	8
Storage	8
Pre-conditioning	9-10
Counter Veneering and Board Flatness	9-10
Substrates	11-12
Adhesives	13-14
Postforming	15-16
Machining Postformed Components	17
Corner Jointing	17
Machining	18
Hand Tools	19
Edge Treatments	19
Application	20
Design Considerations	20
Adhesive Bond Failure	21
Fixing and Jointing Composite Boards	22-23
Fire Performance	24
Door Cladding	25
Exterior Use	26
Writing Surfaces	26
In Situ Bonding to Walls	27
Compact Laminates in Wet Areas	28
Special Products	29
Formica® Compact Grade Laminate	29-30
Formica® ColorCore	31-32
Formica® Metallics	33-35
Formica® Veneers	36-38
Formica® Solid Surfacing	39

Introduction

Formica Limited has always been first and foremost in the laminate industry and today, Formica® laminate is more beautiful and more versatile than ever. It is specified by interior designers, architects, shopfitters, builders, furniture makers and other fabricators because it offers an attractive and durable finish.

The wide range of designs, colours and simulations, the variety of grades, adhesives and substrate possibilities, and the different surface textures and finishes available make proper specification and fabrication paramount to successful end-use.

This Technical Information Manual provides a quick and easy reference to assist specification, from choosing the correct grade through to design considerations and cleaning of laminates in use.

Whilst this Technical Information Manual is designed to make specification easier, it is not intended to discourage personal contact with Formica Limited. Our Design, Technical Services, Fabrication Support Unit and Sales Departments are ready to provide assistance in specification and fabrication to assure the successful use of Formica decorative laminate.

Important Note

All information presented in this manual is given subject to Formica Limited's current Conditions of Sale. This manual is only a general guide to good practice and constitutes no form of warranty or representation as to fitness for purpose in respect of the products and processes described in it. Formica Limited is engaged in a continuing programme of research and development and at least every six months users should check whether Technical Information has been updated.

Nothing in this manual should be construed as a grant or an offer to grant any rights in any products owned by or licensed to Formica Limited.

Formica®, the Formica logo, Formica® Plain Colours, Formica LifeSeal, Formica® Solid Surfacing and Formica ColorCore® are registered trademarks of Formica Corporation or its subsidiaries.

Formica® Veneers, Formica® Metallics are trademarks of Formica Corporation or its subsidiaries.

The company reserves the right to change specification at any time without prior notice.

General Information

Composition

High pressure decorative laminates are ready-finished man made veneers of high density.

Formica® decorative laminates consist of layers of specially selected papers, impregnated with thermosetting synthetic resins, fused together under heat and very high pressure.

The surface layer(s), incorporating decorative colours or designs, are impregnated with melamine based resins to give high resistance to wear, impact, heat and staining.

The core layers are impregnated with phenolic-based resins for strength and flexibility.

Sheet Sizes

Formica decorative laminates are available in a comprehensive range of sheet sizes.

Availability is related to grade and surface finish. For full details please check with your distributor or our Sales Department.

Weight

As a general guide Formica decorative laminates weigh 1.4 kilograms per square metre per millimetre of thickness of the sheet.

Surface Finish

General

Formica® decorative laminates are available in a variety of different surface textures and finishes. Some of these are available over a number of ranges, whilst others are integral to particular designs and patterns.

Choice of surface finish is important from a functional as well as an aesthetic point of view. In general, textured surfaces and light colours have a better scuff and scratch resistance than plane surfaces and dark colours. For this reason, glossy laminates and dark plain colours are not recommended for heavy duty working surfaces. On the other hand, plane and lightly textured surfaces are more easily cleaned than deeply textured finishes.

Formica® Metallics

Polished aluminium items have anodised surfaces for improved resistance to oxidation, scratches, staining, etc.

Other aluminium items have an epoxy coating, and copper finishes are protected with polyurethane lacquer.

Under certain fluorescent lighting conditions the polished finishes may show an iridescent effect.

Formica® Veneers

Formica® Veneers are made from real wood veneer. Consequently, slight colour and pattern differentiation may emerge, which does not constitute a product defect. As with natural wood, exposure to bright sunlight can provoke colour change, and a slight change in colour may occur over a period of time.

Melamine

The surface is protected with a melamine overlay, giving a durability similar to that of conventional decorative laminates.

Polyurethane

Clear durable polyurethane finish, enhancing the colour and grain of the veneer. It looks and feels like wood, and requires no varnishing.

Wax

Similar to Polyurethane finish but with the surface touch of natural wood.

Grades

Formica Limited produce the following grades of decorative laminate each with its own performance characteristics. These grades conform to EN 438 and are suitable for the typical applications shown.

Description	Grade	Performance category	Typical applications
Horizontal, General purpose, Standard	HGS	Materials of high performance for general use in horizontal applications, and for use in vertical applications requiring particularly high performance.	Kitchen work surfaces; restaurant and hotel tables; doors and wall coverings; heavy duty interior walls of public transport vehicles.
Vertical, Standard General purpose,	VGS	Materials of less high performance than HGS for general use in vertical applications, and for use in some horizontal applications where only moderate performance is required.	Kitchen front panels, wall coverings, shelves.
Horizontal, General purpose, Postforming	HGP	Similar to HGS, but can be heated and formed under controlled conditions.	As for HGS, where curved details are required.
Vertical, General purpose, Postforming	VGP	Similar to VGS, but can be heated and formed under controlled conditions.	As for VGS, where curved details are required.
Horizontal, General purpose, Flame retardant	HGF	Similar to HGS, but also meeting specified fire performance requirements.	Areas requiring compliance with fire performance requirements specified in construction, transport and marine fire safety regulations.
Vertical, Flame retardant, Postforming	VFP*	Similar to VGP, but also meeting specified fire performance requirements.	
Compact, General purpose, Standard	CBS* (CGS)	Thick materials of high performance for use in applications requiring high impact and moisture resistance.	Cubicles, partitions, laboratory bench tops, and various self-supporting components in construction and transport applications.
Compact, General purpose, Flame retardant	CGF	Thick high performance materials meeting specified fire performance requirements.	Areas requiring compliance with fire performance requirements specified in construction and transport fire safety regulations.
Light duty, Postforming	LTP*	Materials having special decorative effects, with characteristics similar to VGP but with lower wear resistance. For general use in vertical applications.	Kitchen front panels, wall coverings etc., where curved details are required.

The references above denote the product classification system contained in EN438. Flame-retardant laminates meet the Fire Performance requirements specified in European National Standards, for example, Class 1 and Class 0 specified in UK Building Regulations; Class B1 of DIN 4102 Part 1; Class M1 of NFP 92501. For further information on fire performance and certification, please contact our Technical Services Department. Each grade has specific properties suitable for specific applications.

*VFP, CBS and LTP do not appear in the EN438: classification system.



Performance Standards

Formica® decorative laminates are produced to conform to EN 438 and ISO 4586. These standards define the performance of the various grades of laminate, in relation to their application. For example, the wear resistance specified for horizontal grade laminates is higher than that for vertical grade laminates.

To conform to these specifications, laminates are required to be tested for:

- Resistance to surface wear.
- Resistance to boiling water.
- Resistance to dry heat.
- Dimensional stability.
- Resistance to impact.
- Resistance to cracking.
- Resistance to scratching.
- Resistance to stains.
- Resistance to colour change in artificial light.
- Resistance to cigarette burns.
- Resistance to steam.
- Postformability.
- Reaction to fire.

For information on performance values relating to particular grades of laminate, please contact our Technical Services Department.

Resistance to Chemicals

Formica decorative laminates have been widely and satisfactorily used for many years in laboratories in medicine and industry. They easily meet the requirements of EN 438, which specifies resistance to staining by over 40 substances which are likely to be encountered in everyday use. These include tea, coffee, milk, citric acid, acetone, alcohol, fruit juices, detergents, bleaches and colouring agents, but do not include chemicals more likely to be found in laboratories.

The chart below shows the effects of contact with some of the more aggressive materials commonly used in laboratories. For information on resistance to specific chemicals please contact our Technical Services Department.

Performance	Chemical
No effect after 16 hours contact time.	Acetic acid, acetone, ammonia, alcohol, amyl acetate, benzene, butyl acetate, carbon tetrachloride, caustic soda (solutions less than 10%), citric acid, detergents, olive oil, paraffin, phenol, petrol, soaps, sugar solutions, toluene, xylene.
No effect if completely removed within 10-15 minutes.	Caustic soda (solutions greater than 10%), ferric chloride, formic acid, hair dyes, hypochlorite bleach, hydrochloric acid (less than 10%), hydrogen peroxide (less than 30%), iodine, nitric acid (less than 10%), oxalic acid, phosphoric acid (less than 10%), potassium permanganate, silver nitrate, sulphuric acid (less than 10%).
Permanent staining or surface attack probable, necessitating immediate removal.	Hydrochloric, nitric, phosphoric and sulphuric acids in concentrations greater than 10%.

Thermal Properties

Dry Heat

Formica decorative laminates will withstand surface temperatures of up to 180°C (356°F) for short periods without deterioration of surface or colour (although in some cases a slight loss of gloss may occur) but continuous localised heat must be avoided. It should be noted that cooking vessels can achieve much higher temperatures in normal usage, e.g. the base of a pan containing cooking fat can exceed 250°C, which is why it is recommended that hot pans etc. should not be placed directly onto laminate faced work surfaces.

When used in situations involving localised heat, e.g. adjacent to ovens etc, the maximum temperature to which the laminate should be subjected for long periods (up to 8 hours) is 100°C. There are other applications, such as the use in fire surrounds, where laminates are subjected to direct heat more or less continuously. In such cases, the surface temperature should not be allowed to exceed 60°C, and heat resistant adhesives should be used to prevent lifting of the laminate from the substrate. In addition, design details should be carefully considered to avoid panel distortion and cracking from the internal corners of cut-outs.

Resistance to Cigarette Burns

Formica decorative laminates have a good resistance to damage by lighted cigarettes, and will normally only suffer a loss of gloss and/or slight to moderate brown staining; however, excessive localised heating can result in blistering of the laminate surface and it is therefore prudent to avoid direct contact with burning cigarettes or cigars.

Resistance to Boiling Water

Formica decorative laminates are resistant to steam and boiling water and are therefore ideal for applications where cleanliness and hygiene are important factors.

Cold

Formica decorative laminates are unaffected by extreme dry cold and cold storage conditions.



Maintenance and Cleaning

Formica® Melamine Laminates

Formica® decorative laminates do not easily scratch or chip and will withstand normal wear and tear, but should never be used as a cutting or chopping surface.

They will resist the effects of vandalism, and properly fabricated will provide very durable surfaces suitable for public areas.

Laminate surfaces are best kept clean using water and mild detergent. Non-scratch liquids or creams, such as 'CIF', 'FLASH' or 'AJAX', are recommended for stubborn stains.

More persistent marks and discolouration (for example after long term exposure to tobacco smoke or industrial grime) can usually be removed by careful use of a mild abrasive cream or paste cleaner, however on no account should scouring pads or harsh abrasive cleaning agents be used.

Ink marks from felt-tip and ball-point pens can be removed with a suitable solvent (e.g. methylated spirits, acetone, etc.) on a clean cloth. Organic solvents such as white spirit and cellulose thinners can also be used to remove paint splashes and graffiti, as they will not affect the laminate surface.

Acid based ceramic cleaners and limescale removers must not be used as they can cause permanent staining. Any spillage or splashes of these cleaners must be washed off the laminate surface immediately.

After using a cleaner, the surface should be rinsed with clean water and polished dry with a soft cloth.

Proprietary window-cleaning products such as 'WINDOWLENE' are excellent for avoiding and removing drying marks and smears on the final finish.

Furniture polishes should not be used, as a build up of silicone wax on the surface may result causing eventual discolouration and smear marks which can be very difficult to remove.

Because of the nature of the surface, deep textured finishes are inevitably more difficult to clean than smooth surfaces and light textures. For stubborn marks in textured surfaces a nylon bristle brush can be used in conjunction with any of the above cleaners to remove deep-seated stains and marks.

Formica® Metallics

Formica® Metallics laminates should be cleaned with warm soapy water or mild household detergent solution and a soft cloth. Abrasive cleaners must not be used.

Solvent cleaners must be used with care and should be tried first on a scrap off-cut to ensure that no surface damage results. Solvents must not be used on products having polyurethane lacquer finishes.

Formica® Veneers

Formica® Veneers laminates should be treated in the same manner as fine wood furniture and may be cleaned with a damp cloth and mild detergent. Do not use polishes or waxes on any Veneers surface.

Do not place hot objects directly on the surface of Polyurethane or Wax finish Veneers, and do not use any abrasive or solvent cleaners.

Melamine finish can be cleaned in the same way as conventional laminates. It will withstand moderate heat, but very hot objects (hot pans, casserole dishes, etc.) should not be placed directly on the surface.

Formica® Solid Surfacing

To keep clean and remove simple stains, use a damp cloth and any household detergent.

To remove stubborn stains, hard water deposits, cigarette burns and minor scratches use an abrasive cleaner and/or scouring pad (e.g. Scotch-Brite®).

To remove deep stains and scratches use fine sandpaper, and then restore the finish with a suitable scouring pad.

Severe damage may be repairable; contact Formica Fabrication Support Unit or a Formica® Solid Surfacing fabricator for advice.

Fabrication

Handling

Care should be taken when handling decorative laminates to avoid breakages and damage.

When loading and unloading, sheets should be lifted, not slid. Abrasion between decorative faces should be avoided.

Individual sheets should be carried with the decorative face towards the body. Sheets become more rigid and thus easier to handle if they are bowed along the longitudinal axis. Large sheets should always be handled by two people. Sometimes it is convenient, especially with thinner grades of laminate, to roll the sheet, decorative face inward, into a cylinder of approximately 600mm diameter.

When transporting stacks of sheets with mechanical handling vehicles, pallets of adequate size and rigidity should be used.

Storage

Formica® decorative laminates should preferably be stored face to face, flat in horizontal racks. The use of a caul board for covering the top sheet and keeping it flat is recommended. If this is impracticable, the top sheet should be turned decorative face downwards, to prevent surface damage and warping.

Where horizontal storage is not possible or where only small stocks of assorted colours and patterns are kept, these can be stacked on edge in slightly inclined vertical racks with support over the entire surface area, and a cover board to prevent sliding. The recommended angle for such racks is approximately 80° from the horizontal.

Decorative laminates should always be kept in an enclosed dry store together with corresponding substrate materials, backing boards and adhesives, at a temperature of not less than 18°C (65°F). When materials are brought into a workshop from temperatures or humidity levels different from ambient (e.g. after delivery), they should be allowed to stabilise before fabrication. Usually a minimum of three days is required.

See section on pre-conditioning for further information on storage prior to fabrication.

Pre-conditioning

The most important factor in achieving stability in bonded panels is the pre-conditioning of core materials, surfacing and backing laminates prior to bonding.

Pre-conditioning ensures that the effects of differential movement, caused by the materials' reaction to changes in relative humidity, are minimised.

The following procedure will allow the laminates to reach equilibrium; any subsequent movement, caused by changes in humidity, will then be equal on each side of the bonded panel and the risk of bowing will be greatly reduced.

Decorative laminates and core materials should be conditioned before veneering so that all materials reach equilibrium and are neither too dry nor too damp, the latter being most important at the time of pressing. Optimum conditions are best achieved in a dry storage area (about 20°C and 50-60% Relative Air Humidity). The sheets that will form the opposite faces of the same composite board are best conditioned as a pair, with their sanded backs together. Sheets paired in this manner should be stacked, covered, and left for a minimum period of three days in order to reach moisture equilibrium. This will ensure that they achieve near identical moisture contents prior to bonding, and any subsequent dimensional movements will therefore be similar in both magnitude and direction on each side of the composite panel.

Wood-based core materials should have a moisture content of around 9%. The moisture content of laminates cannot be measured with a normal moisture meter, but it is essential that the face laminate has the same moisture content as the corresponding backing board.

If the composite boards are to be exposed to constant low relative humidity in their subsequent application (e.g. radiator casings), the laminates and core materials should be pre-conditioned in warm dry conditions for a suitable period in order to pre-shrink the materials and so avoid any subsequent shrinkage stresses.

Panels and boards faced with decorative laminate will nearly always be required to have the reverse side faced with a similar material to counter-balance the effects of dimensional changes that may take place.

Counter Veneering and Board Flatness 1 of 2

Optimum flatness

Best results are obtained by the use of identical laminates simultaneously bonded to both face and back, a practice which might appear unnecessarily expensive, but is entirely rational when the extra cost is related to the degree of flatness required and the final 'installed price' of the panel. This method should always be considered for large free standing panels such as screens, balustrades, cubicles, sliding doors, thin ceiling panels, shelving, etc.

BS 4965 flatness requirements

The majority of installations have somewhat less demanding flatness requirements and are usually satisfied by the criteria specified in BS 4965, viz. 1mm maximum distortion over 600mm length.

Two important clauses are contained in BS 4965 relating to flatness limits:

1. Because of the difficulty of achieving flatness in thin panels, no tolerance is specified for boards or panels using substrates less than 12mm thick.
2. Numerous factors, including changes in temperature and relative humidity (as can be encountered at building sites) can cause boards and panels to bow and twist irreversibly.

Therefore flatness to BS 4965 requirements can be guaranteed only at the time of delivery from the fabricator. This is particularly applicable if opposite sides of a panel are likely to be exposed to marked temperature and/or humidity differences.

Other requirements

Linings to kitchen cabinets and inside faces to cupboard doors are required to have an attractive easily cleanable surface. Whilst the flatness of these components must be considered, their overall dimensions are relatively small and experience has shown that the Cabinet Liner products offered by Formica Limited in both White and Beige will satisfy both aesthetic and flatness requirements.

For certain installations, where the reverse side has to be backed to add stiffness or to seal the substrate but where flatness and appearance are not critical, Formica Limited offer a variety of backing boards. These are produced for maximum economy, and whilst when properly fabricated they generally provide an acceptable level of counter-balance, no flatness guarantees can be given. They are suitable for use in applications such as curved panels, postformed worktops, window sill boards, and panels which will be fixed back to a stout framework.

Counter Veneering and Board Flatness 2 of 2

Recommendations

Backing laminates should be selected according to the flatness requirements shown below.

Importance of sheet direction in avoiding bowing

1. Face and back laminates must be cut from the same direction of the laminate sheet and never at right angles to each other.
2. Whenever possible, and always if board flatness is a critical factor, cut the longest dimension of the laminate panel from the lengthwise direction of the sheet, i.e. parallel with the direction of sanding. This is because dimensional movement of the laminate in this direction is less than half the movement in the transverse direction.

Face Laminate	Category A Optimum Flatness (Better than BS 4965 limit)	Category B Flatness meeting BS 4965 limit	Category C Sealing purposes only, flatness not guaranteed
HGS		HBS – Horizontal Standard Balancer	
VGS		VBS – Vertical Standard Balancer	
HGF		HBF – Horizontal FR Balancer	Any backing laminate, e.g. Universal backing board; Production backing board, DC White, etc.
VFP		VFP – Vertical FR Balancer	
HGP		HBP – Postforming Balancer	
VGP		HBP – Postforming Balancer	
LTP			
Formica® ColorCore		Formica® ColorCore Scarified Balancer*	HGF, HBF, HGS, HBF
Formica® Metallics Polished Chrome	Compensating laminate of same colour, pattern and grade as face laminate	MBC Polished Chrome Balancer	
Other Polished and Cubics		MBP Polished Metallic Balancer	
Matt & Brushed		MBM Matt Metallic Balancer	Universal backing board
Aluminium Embossed		MBAE Aluminium Embossed Metallic Balancer	
Copper Embossed		MBCE Copper Embossed Metallic Balancer	
Stainless Steel		Stainless Steel Balancer	
Formica® Veneers Melamine finish		Production backing board	
Formica® Veneers Polyurethane and Wax finishes		Universal backing board	Any conventional laminate backing board

*For Formica® ColorCore multi-layer, use Category A compensating laminate.

Substrates (Core Boards) 1 of 2

The three purposes of a good substrate are:

1. To support the laminate
2. To resist bowing
3. To meet the required performance specification.

In addition, it is essential that the surface of the substrate should be sufficiently smooth to prevent the transfer of defects through to the decorative laminate surface (commonly known as telegraphing).

Plywood, chipboard and medium density fibreboard (MDF) are substrate materials, which lend themselves to good fabrication. Being cellulose based, their dimensional movement characteristics are similar to those of decorative laminates.

Certain industrial applications call for specialised substrates such as mineral boards, metal sheets, honeycomb cores and plastic foams, and these will require special bonding and fabrication techniques.

The various substrates which may be used, together with their characteristics, are listed in the following table.

Substrate	Description and suitability
Particleboard	The particle board structure (chip form, resin content and density) has a significant influence on quality and properties. Boards manufactured to type P3 of EN 312-3 provide ideal substrates for applications in dry areas. These can also be obtained in flame-retardant grades, which can be used to produce composite panels conforming to fire performance requirements of the Building Regulations. Boards manufactured to type P5 of EN 312-5, having increased moisture resistance, can be used in installations subject to high humidity and frequent wetting.
Medium Density Fibreboard (MDF)	Dry formed panel product manufactured from resin bonded lignocellulosic fibres. Provides an excellent surface for laminating, and its excellent machining properties allow finely moulded and smooth edge finishes. Primarily used in furniture and cabinet work, where its properties are well suited to the needs of these industries. Boards manufactured to type MDF of EN 622-5 are suitable for use in dry areas, and can also be obtained in flame-retardant quality. Boards manufactured to type MDF-H of EN 622-5 are moisture resistant and can be used in situations of high humidity and frequent wetting.
Laminboard and Blockboard	Laminboards; i.e. those with narrow core strips, less than 10mm in width and edge glued, are excellent substrates for decorative laminates for cabinetry and high class carcass work. Blockboards; only suitable as substrates for decorative laminates if their core staves are fairly narrow and edge glued, with double or extra thick surface veneers. Otherwise they are unsuitable because the cores may shrink unevenly in dry conditions, resulting in surface undulations (telegraphing).
Fibre building boards (hardboards)	These are not self-supporting and are generally used as outer skins of sandwich panels, or as wall cladding panels with their edges retained in extruded plastic or metal channel sections. Their surfaces may have to be sanded before bonding to improve adhesion.



Substrates (Core Boards) 2 of 2

Substrate	Description and suitability
Honeycomb cores	<p>Aluminium. Ideal for producing rigid, lightweight panels faced on both sides with decorative laminates. Widely used in the manufacture of curved ceiling panels e.g. for railway coaches. Usually bonded with epoxy resin adhesives, and available in a variety of thicknesses and cell sizes.</p> <p>Kraft paper – non-impregnated. Generally used as low-cost cores for sandwich panels faced with hardboard, or for plywood faced hollow interior doors. Also used for direct laminating with horizontal grades of laminate, for fixtures in caravans where low weight considerations are more important than impact resistance. Cell sizes are typically 15-37mm in a variety of thicknesses.</p> <p>Kraft paper – impregnated. Resin impregnated paper is better than non-impregnated paper in resisting the effects of moisture. Used generally in small cell sizes (e.g. 9 -12 mm) and thicknesses of 15 to 25mm.</p>
Mineral based substrates	A number of different non-combustible substrates are available, the most common being boards based on Calcium Silicate. Decorative laminates should only be used on boards of monolithic structure and not on those produced by layering methods, as the latter have poor resistance to delamination. Moisture content of both laminate and substrate must be controlled by proper storage prior to bonding.
Metals	Aluminium and steels can provide excellent substrates providing the proper surface preparation is carried out prior to bonding. Metals have different dimensional movement characteristics to those of decorative laminates and this must be taken into account in considering the end application.
Foamed plastics (polystyrene, polyurethane, phenolic, etc.) in rigid boards, or injected in situ	Self-supporting and with good thermal insulation, they are suitable for direct laminating. Phenolic foams have excellent fire-retardant properties and low smoke emission.
NOTE: The following materials are NOT recommended as substrates for the application of decorative laminates.	
Plastered or cement rendered wall surfaces	With rare exceptions these are unsuitable for direct bonding because of surface irregularities, low internal bond strength and incompatible dimensional movement.
Gypsum board (plain or paper faced)	The paper surface affords little restraint to the dimensional movement of decorative laminate, and can lead to cracking from screw holes and apertures.
Solid wood	Not suitable except in very small sizes because of possible surface undulations caused by irregular dimensional movement.

Adhesives 1 of 2

	Urea/Melamine Urea	Resorcinol	Epoxy
Description	Rigid thermosetting adhesives. Curing is by polymerization when the correct amount of catalyst is added to the resin. The rate of cure is rapidly increased by the application of heat.		
Application	Used in flat lamination, hot or cold pressed to bond laminates to most wood based substrates. Melamine/Urea is useful for bonding to moisture resistant core materials. Poor gap filling properties but gives a good bond at relatively low pressures. Ureas are often extended by fillers which also help to reduce telegraphing of core imperfections. Cure time typically 1 to 3 hours at room temperature depending on hardener system.	Used in flat lamination, hot or cold pressed to bond laminates to moisture resistant wood based substrates, some flame retardant substrates and non-combustible substrates. Good gap filling properties. Satisfactory bonds are produced at low pressure. Cure time typically 5-8 hours at room temperature.	Used in flat lamination, hot or cold pressed to bond laminates to metal substrates which have first been primed. Also useful for bonding laminates to aluminium honeycomb cores. Excellent gap filling properties. Requires only low pressure. Minimal telegraphing due to high solids content (lack of shrinkage). Wide range of room temperature cure times depending on hardener system.
Typical Temperature Resistance	-20°C to +120°C.	-20°C to +150°C.	-20°C to +100°C.
Typical EN 204 Durability class	D3 – D4	D4	D3 – D4

Polyurethane (PU) Single & Part 2 Systems

Description	Single Part MCPU (Moisture Curing Polyurethane). Realise on water/moisture to set off the curing. Hot pressing accelerates curing cycle. Must have one of the substrates porous. Two part P/U realise on mixing the resin and catalyst together to set off curing cycle. Hot pressing accelerate curing cycle. Excellent for bonding together non porous materials.
Application	Used in flat lamination. Hot or cold. Applied by hand or specialised automatic rollers (steel). Spray and hand spreader/brush. One surface only.
Lamination	Excellent gap filling properties. Low, or high pressure vacuum or hydraulic pressing. Excellent for bonding to difficult substrates such as polystyrene, metal, GRP, plastics etc. As well as most timber based substrates to themselves and/or to mixed combinations of facing laminates.
Telegraphing	Moderate telegraphing of core, dependent on method of bond consolidation and method of applying glue. line.
Moisture Resistance	High humidity and frequent wetting. Very good D3 – D4 EN204 Durability. Frequent, short term exposure to running water and exposure to extreme humid conditions.
Temperature Resistance	Not affected by high/low -20°C +120°C
Chemical Resistance	Very good (deteriorate with use of keytone/acetone blends of solvents) EN438
Bond Strength	High, special 1 part = D2 – D3 2 part = D3 – D4

Key to EN 204 durability classes in adhesives table.

- D1** Interior areas, where the temperature only occasionally exceeds 50°C for a short time and the moisture content of the wood is 15% maximum.
- D2** Interior areas, with occasional short term exposure to running or condensed water and/or to occasional high humidity provided the moisture content of the wood does not exceed 18%.
- D3** Interior areas, with frequent short-term exposure to running or condensed water and/or to heavy exposure to high humidity. Exterior areas not exposed to weather.
- D4** Interior areas with frequent long-term exposure to running or condensed water. Exterior areas exposed to weather.

Adhesives 2 of 2

	Polyvinyl Acetate (PVAc)	Contact Adhesives	Hot Melt Adhesives
Description	Aqueous emulsion adhesives which cure by dispersion of the solvent. Available in both single and two part (catalysed) varieties, the latter having better heat and moisture resistance.	Polychloroprene based. Available in solvent or water based types, and with and without hardener.	Normally supplied in pellet or cartridge form.
Application	Used in flat lamination, hot or, more usually, cold pressed to bond laminates to most wood based substrates. Also used for producing postformed components. Poor gap filling properties. Fast curing at room temperature giving quick press turn round (20-40 minutes), with long pot life to glue mixes. Requires only low pressure. Glue-line cures to a semi-rigid condition. Substrate must have good surface uniformity and strength. Easy wash down of equipment and removal of glue spillage. Requires carefully controlled glue spread to avoid telegraphing due to water base causing raised grain, fibre and chip swell.	Used for both flat bonding and postforming. Can be used to bond laminates to a wide variety of substrates. Bond occurs when both coated surfaces are brought into contact. Requires only momentary but high uniform pressure. Can be applied by spray (hot or cold) or by hand application with serrated spreader. Useful for on-site work where the application of sustained pressure is not possible. Observance of correct application and drying time is very important. Should only be used in warm dry conditions. Minimal telegraphing providing laminating pressure is not excessive and glue-line is kept free from debris.	Used almost exclusively for bonding edging materials. Best applied to edge prior to application of surface laminate. Will begin to soften under moderately elevated temperatures. Should not be used to edge materials for use near hot surfaces.
Typical Temperature Resistance	Standard, -20°C to +80°C. Catalysed, -20°C to +120°C.	Standard, -20°C to +60°C. With hardener, -20°C to +100°C.	-10°C to +50°C.
Typical EN 204 Durability class.	D2 – D3	D1 – D2	D1

Key to EN 204 durability classes in adhesives table.

- D1** Interior areas, where the temperature only occasionally exceeds 50°C for a short time and the moisture content of the wood is 15% maximum.
- D2** Interior areas, with occasional short term exposure to running or condensed water and/or to occasional high humidity provided the moisture content of the wood does not exceed 18%.
- D3** Interior areas, with frequent short-term exposure to running or condensed water and/or to heavy exposure to high humidity. Exterior areas not exposed to weather.
- D4** Interior areas with frequent long-term exposure to running or condensed water. Exterior areas exposed to weather.

Postforming 1 of 2

General

The term 'postforming' is used to describe the bending process applied to specially developed grades of laminate which, whilst possessing all the well known properties of standard grade high pressure laminates, can also be formed into simple cylindrical concave or convex curves.

Curved surfaces with their absence of visible seams are often more aesthetically pleasing than sharp edges on internal and external angles, and will eliminate joints in which dirt and water can accumulate.

Thickness plays an important part in formability. In general, thin laminates are capable of being formed to tighter radii than thicker laminates; however for a given thickness, flame retardant postforming laminates are less formable than non-FR postforming laminates.

Unlike some postforming laminates which have a shelf-life, the formability of Formica® laminates does not deteriorate during long-term storage.

Postforming process

All postforming processes require the laminate to be heated in the area in which it is to be formed, and the best (i.e. stress-free) bends are obtained when the laminate is heated to just below the temperature at which it will blister (approximately 175°C). Whilst the method of heating will vary, the forming temperature should be attained fairly rapidly.

Practically of course there must be a reasonably wide forming temperature zone (i.e. between the lowest temperature at which the laminate will form without cracking, and the highest temperature which can be safely used without the risk of blistering). The recommended forming temperature range for Formica HGP and VGP postforming laminates is 150°C to 165°C. The recommended range for flame-retardant postforming grade VFP is 160°C to 170°C. White laminates should always be formed at the upper end of the temperature range.

There are a number of postforming processes available, ranging from inexpensive workshop made jigs, to sophisticated machines processing panels on two edges at speeds of up to 15 metres per minute.

Whichever process is used however, the heating of the laminate must be meticulously controlled and monitored throughout the daily working period. Fluctuations in ambient temperature, heater voltage or machine speeds may upset critical heating conditions, resulting in cracking due to insufficient heat or blistering from too much heat.

The application of heat sensitive liquids or waxes to the area to be heated is a very effective way of checking the forming temperature. These liquids/waxes melt instantly at the prescribed temperature, giving an accurate visible indication when the laminate surface has reached the required temperature. Hand-held infra-red thermometers can also be used, but care must be taken to ensure that the instrument is measuring only the temperature of the laminate surface and is not influenced by surrounding sources of heat or cold.

Equipment

Most methods of postforming are based on the principle of first glueing the laminate to the flat area of the panel or worktop, which has been previously shaped on its edge to the required profile, and forming and bonding the laminate simultaneously over the rounded edge. Whilst glueing processes differ, there are only two basic methods of postforming the laminate, viz. stationary forming and continuous forming. In the former the workpiece remains static during the forming operation, whilst in the latter it is carried on a moving belt through the heating and forming zones of the machine.

Stationary or static forming

In their basic forms, static forming machines are simple bending rigs. Essentially they consist of a flat stout bed to which the panel is pneumatically clamped with the overhanging laminate edge projecting. A retractable radiant heater descends and dwells over the laminate until the required forming temperature is reached, then the heater is retracted and an angled section folds the heated laminate over the edge profile and holds it in position until it is cool. An advantage of these machines is that they can be used for forming down-bends with large drop fronts.

A more recent innovation in stationary postforming is utilised in the Brandt machines. In this process the infra-red radiant heater is replaced by a narrow heated platen, which actually contacts the laminate surface and literally irons it around the prepared profile. Bonding takes place simultaneously with the forming process. Because this process is, in reality, a small mobile press it can use almost any type of adhesive. These machines are fully automatic and once set to a particular profile they will follow it repeatedly at the touch of a button.

Continuous forming

Continuous forming machines vary considerably in their size and output capacity, but they all operate in a similar manner, in that the panel, which has had the edges radiused and the laminate bonded to the flat area, is carried by means of a chain or belt-drive through an infra-red heating zone, and past stainless steel bars which turn the now softened laminate over the profiled edge. Shaped rubber or metal rollers then take over and press the formed laminate edge in place until the adhesive is cured. Finally, the surplus laminate is trimmed off.

Continuous machines can be divided into two groups using different adhesive systems, i.e. PVAc and Contact Adhesives.

Postforming 2 of 2

Continuous process using PVAc adhesives

These machines are favoured in the mass production kitchen furniture industry because of the high degree of automation, and their ability to utilise adhesives which require no special extraction facilities and present no fire hazard.

The panels or worktops are first veneered in a flat bonding press, with the laminate overhanging the profiled edges. The postforming machines are self contained units; forming, glueing and trimming in one pass.

Continuous process using contact adhesives

These machines are usually double sided and capable of considerable width adjustment. The panel or worktop is first veneered by spraying both the laminate and core-board (including the profiled edges) with neoprene adhesive, and bonding them under pressure by passing the assembly through rubber covered nip rollers.

During the postforming process the laminate is first heated by passing through an infra-red heating zone to reach forming temperature. The heat reactivates the adhesive so that when the laminate is formed and pressed home by the rollers, it will instantly bond with the adhesive coating on the profiled edges of the core-board.

Coving

The internal (concave) bend of a worktop having an integral riser is usually achieved by milling away the core-board in the area of the bend, and then postforming the laminate over a heated metal former. An MDF in-fill piece (heel-piece) is inserted and glued in position after the laminate has been formed.

Substrates for use in postformed components

The requirements for providing a good substrate for laminates in general fabrication apply also in postforming. In addition, a substrate having good edge machining properties (producing a smooth clean finish with minimum break out) is required to provide a smooth transition from the flat into the radius, and flawless adhesion over the curve with minimum show-through.

1. Chipboard

Good quality chipboard having a smooth and even surface finish is essential. It should be constructed to prevent tearing out of the chip particles during the edge profiling process and provide a fine even surface with no voids. A brushing operation to remove loose particles after machining the profile is advisable.

2. MDF

The excellent machining qualities of MDF make it an ideal substrate for producing smooth edge profiles.

3. Plywood

Machining of the profile is more difficult with plywood as the multiple glue lines can produce unequal wear of cutter blades.

Blades must be kept as sharp as possible and will benefit from being regularly cleaned and coated with a release agent to prevent resin build-up.

A post sanding operation followed by brushing is advisable after machining.

The machining direction should follow the grain of the surface veneers.

4. Solid nose-pieces

Where components are required to have a large external radius, the profile should be fashioned from built-up sections of MDF or chipboard and never from solid timber, which may shrink and produce ripples on the surface of the laminate.

Machining Postformed Components

Cross cutting

Single profile panels should be cut with the saw cut starting from and cutting into the profiled edge.

With panels profiled on both edges good cross cutting can only be obtained by the use of tungsten carbide tipped cross cutting saw blades with teeth as closely spaced as possible. The saw blade should be as thin as possible (under 3.2 mm) and every other tooth should be conically shaped.

The traversing cross cut speed should be reduced. Better cuts are made when the panels are clamped stationary on the saw bed and the saw travels either over the panel (e.g. radial arm saw) or under the panel (e.g. beam saw).

Double profiled components, required to have perfectly clean cuts on both faces (e.g. doors), are best sawn by beam type saws having a contra-rotating scoring saw to nick the trailing profiled edge prior to the main cutting saw, to prevent break out.

Cross panel milling

Good quality edge cuts on panels profiled on both sides are obtained by the use of oscillating cutter heads working first against and then with the feed direction.

Corner Jointing

Mitring

Fully formed panels which have upstands can only be jointed by mitring, usually done by precise sawing. The panel is clamped at the required bisecting angle and a traversing saw, cutting into the face of the laminate, cuts through the panel.

It is essential that the panel is firmly clamped in position and the blade thickness is sufficient to prevent 'whip' causing break out of the laminate.

Scribed joints (Mason's mitre)

Single profiled edge panels can be jointed by machining suitable scribing profiles from the surface using a hand router with surface template. Panels over 40mm thickness should be machined using an overhead router.

Profile fillets

Suitably shaped extruded metal or plastic profiles can be obtained which mask the joint, and these eliminate the need for precise machining.

Joint assembly

The joints described in the previous paragraphs are usually clamped together using hand-rail type bolts sunk into the underside of the two panels. The joint is bonded with a moisture resistant adhesive.

Machining

General

Because decorative laminates have a relatively hard surface, tool wear will be greater than with most wood based products. For longer life and better performance tungsten carbide tipped (TCT) saws and cutters should be used.

Circular saws (fixed)

The diameter of the saw blade should be as large as the machine will allow (preferably not less than 150mm) so as to give the highest available tip speed. For example, a 300mm diameter saw blade with a spindle speed of 3000 rpm will give a tip peripheral speed of 45m/s.

The sheet should be cut face up and held firmly down on the machine bed to prevent fluttering.

Generally, saws should be fine toothed close pitched, with alternative teeth top bevelled. There are also a number of special saws which are ideal for cutting both unbonded and bonded laminates, e.g. trapezoidal tooth (triple chip) saws.

Circular saws (portable)

Portable circular saws are particularly useful for on-site work. The direction of rotation of these saws requires the sheets to be cut face down to avoid chipping. A fine toothed saw blade is essential to reduce the need for subsequent finishing.

Travelling saws

The most convenient method of converting large sheets into smaller size panels is to clamp the sheets and pass a travelling saw across. These saws range from simple manually operated machines to the more sophisticated power operated clamped beam saws and wall mounted saws.

Band saws

The band saw is ideal for rough cutting of shaped work. Manganese steel blades having hacksaw shaped teeth are recommended.

Spindle moulders

All normal cutting tools can be used in the machining of laminates, but they must be tungsten carbide tipped. High speeds in the order of 5000-8000 rpm give the best results. Milling heads and cutter blocks with disposable TCT cutters (both straight and profiled) provide a convenient and relatively inexpensive method of machining the edges of boards.

Solid tipped cutter blocks with 4-10 blades, although expensive, soon pay for themselves in operations such as edge shooting, profiling and edge rebating of panels. They can be used for a considerable time before re-sharpening is necessary and their weight gives them an inertia that minimises chatter.

When working with laminates face down on the spindle table, it is advisable to clamp the workpiece to a moving pad to minimise the risk of scratching.

Portable jig saws

Used to produce cut-outs of any size or shape. Like the portable saw the cutting action is upwards, and therefore chip-free cuts are difficult to achieve. Cuts should be made with a fine toothed blade, and with the face side down. Where this is not possible due allowance should be made for the extra finishing necessary to remove the edge chipping.

High-speed fixed-head routers

Bench high speed fixed head routers may be used with single or double flute TCT cutters having an optimum peripheral speed of 10-15m/s.

Concentric cutters used in eccentric chucks give greater clearance and therefore cool, clean cutting and longer intervals between sharpening.

Although primarily intended for cut-outs, these machines can be used for a variety of operations such as profiling, edge trimming and grooving. It is not usually necessary for high speed routers to be used at speeds in excess of 18,000-20,000 rpm, if only to avoid the exact balancing requirements at speeds higher than these. For curved work it is advisable to rough cut the shape first on a band saw leaving 2-3 mm all round for subsequent trimming on the router.

Portable hand-held routers

Invaluable for clean hole cutting, edge finishing and trimming on-site, they are also very useful in the workshop for dealing with bulky assemblies. These routers can be fitted with small saws for on-site edge grooving of panels.

Portable hand-held trimmers

These compact hand-held electrical trimmers which operate at speeds of 18,000-20,000 rpm are designed principally for trimming decorative laminates. They are lightweight and easily operated with one hand. Depth of cut is usually controlled by an adjustable guide wheel, and TCT cutters are available for edge trimming at angles ranging from 30°-90°.

Edge trimming

There are a number of machines on the market for volume edge trimming. These machines will remove excess material from two edges and bevel one or both edges, all in one operation.

Drilling and hole cutting

HSS steep spiral drills with a point angle of 60°-80° instead of the normal 120° are most suitable for small diameter holes. For larger holes (which are best cut from both sides), hole saws, cylinder cutters, trepanning or fly cutters with a centre locating point, are all suitable.

Hand Tools

Cutting

Laminates should be cut with a sharp, fine toothed tenon or dovetail saw held at a low angle. The sheet should be supported on both sides of the cut as close as possible and over the entire length.

The saw must be sharp, otherwise excessive pressure will have to be applied and this could result in the sheet splitting.

Alternatively, laminates can be cut using a scoring tool e.g. a Stanley knife with a hooked blade, a hooked scribe or the corner of a chisel. The sheet should be laid flat on a firm base, decorative side up. It should then be scored with the scoring tool drawn along a straight-edge using firm pressure, and taking care not to scratch the surrounding decorative surface. This operation is repeated until the decorative surface is cut completely through, revealing the dark brown core. The sheet should then be broken upwards against the edge of a rigid straight-edge.

Cutting round mouldings, pipes etc. should be done with a coping saw.

Planing

Trimming off surplus edges is best done with a small block plane with a low angle blade, which is more easily controlled with one hand than a smoothing plane.

Hand finishing

Final finishing of edges should be carried out using a fine file and a cabinet maker's scraper.

Edge Treatments

Apart from postforming, there are numerous edge treatments that may be adopted for both functional and aesthetic considerations. Although pre-edging is preferred, this should not be considered as a hard and fast rule, since production methods and design criteria will have a bearing on the sequence of edging.

Probably the easiest means of edging a panel is to self-edge with strips of laminate. The finished arris should be bevelled to 45°-60°.

Any timber edging included under the laminate should be as narrow as possible to minimise the risk of shrinkage and subsequent telegraphing.

Where deep edges are required, they should be built up with the same material and not with solid timber.

Dished edges may be produced using laminate faced plywood core-boards, by cutting into the edge of the plywood immediately below the top veneer, and glueing in a plywood wedge. Alternatively, a saw-cut can be made in the back of the panel and a wedge glued-in to raise the edge. In both cases the angle should be no more than 10 degrees.

Application

Design Considerations

The inherent characteristics of decorative laminates impose certain design restrictions. Some of these are outlined below. If you have any question concerning design and application please contact our Fabrication Support Unit (FSU).

Sheet sizes

Formica® decorative laminates are produced in a variety of sheet sizes, but not all grades/patterns/colours are available in all sizes. When selecting a laminate please check availability of sheet size. Due consideration should be given to specifying the most economical sheet size in order to minimise material wastage during cutting.

Design features

Sheets with geometric or linear features may need a dressing cut to properly align and position the feature relative to the edge of the panel.

Dimensional movement

High-pressure decorative laminates are cellulose-based materials and therefore, like any wood-based materials, they shrink in dry conditions and expand in wet conditions. Precautions should therefore be taken to prevent cracking or adhesive bond failure due to dimensional movement.

Stress cracking

In conditions of low humidity caused by central heating, or of localised heating by radiator grilles or hot air vents, shrinkage may occur which can result in cracks from high stress points such as sharp internal corners or chipped edges.

Stress cracking is the result of stresses set up when the dimensional movements of the laminate and of the substrate to which it is bonded, are different in either rate or direction.

Stress cracking occurs most often when contact adhesives are used, as these adhesives are elastomeric (i.e. non-rigid) and allow the laminate to creep. To reduce the risk of stress cracking, the following measures should be followed:

1. Internal corners of apertures and cut-outs must always be smoothly radiused to as large a radius as possible. The minimum radius is 5mm, but this should be increased for apertures with large side lengths.
2. If sharp internal corners are required as a design feature, these should be formed by butt-jointing panels, and not by right-angled cut-outs.
3. All cut edges should be smooth, with no chipping.
4. The use of contact adhesives should be avoided, particularly where the ambient conditions in the final installation are warm and dry.
5. Where contact adhesive is used (particularly when hand-applied), panel widths should not exceed 600mm. Where wider panel widths are required, these must be fabricated using rigid or semi-rigid adhesives.
6. In order to minimise dimensional movement, the longest dimension of the panel should be cut in the length direction of the laminate sheet, i.e. parallel with the sanding lines; as laminate movement is approximately twice as great across the sheet width as it is along the length.
7. The laminate should be pre-conditioned in temperature/humidity conditions similar to those of the final installation, for at least three days prior to bonding. This is particularly important if the laminate has a high moisture content, following storage or transport in high humidity conditions.
8. Drilled holes for fixing screws, etc. should be oversized, to ensure that fixings do not impinge on the edge of the laminate.
9. The panels should be fixed firmly to prevent any bending or twisting which may cause stress.

Adhesive Bond Failure (bubbling)

The converse situation to stress cracking is adhesive bond failure, commonly known as bubbling. This may occur in conditions of high humidity or wetting if there are weak areas of adhesive bond (usually associated with hand-applied contact adhesives).

If the laminate has been bonded in normal dry conditions using contact adhesive, and the panel is subsequently subjected to high levels of humidity, the laminate will expand. The amount of creep will depend on the panel dimensions (the larger the panel the greater the movement), and if there is a weakness in the bond the laminate may lift from the substrate.

To reduce the risk of bond failure, the following measures should be taken:

- 1.** If possible, avoid the use of contact adhesives (particularly hand-applied) if the panels are to be installed in wet areas or areas of high humidity.
- 2.** If contact adhesives must be used then panel widths should not exceed 600 mm. The adhesive layer must not be too thick, it must be applied evenly to both surfaces, and the whole area must be at the correct tack-level when bonding takes place. These points are particularly important if the edges of the laminate are 'captured', preventing outward movement of the laminate at the edges.
- 3.** To minimise dimensional movement, the longest dimension of the panel should be cut in the length direction of the laminate sheet, i.e. parallel with the sanding lines (laminate movement is approximately twice as great across the sheet width as it is along the length).
- 4.** The laminate should be pre-conditioned in temperature/humidity conditions similar to those of the final installation, for at least three days prior to bonding.

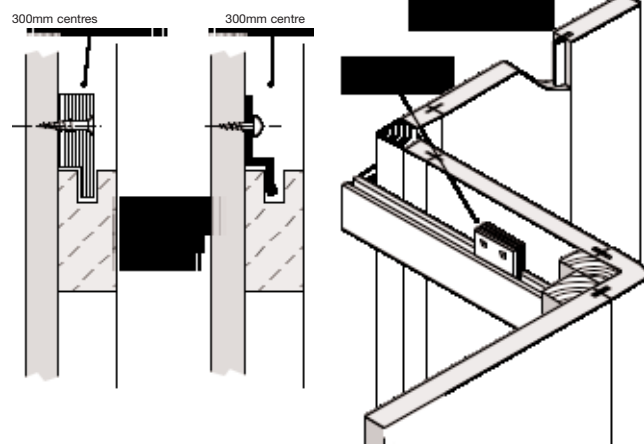
Fixing and Jointing Composite Boards 1 of 2

Composites such as Formica® Lifeseal Boards, consist of high pressure decorative laminates bonded with adhesives to core materials and can be manufactured to achieve various performance requirements, such as heavy duty, high humidity and defined fire performance. Composites are particularly suitable for wall cladding and may be used in a variety of situations.

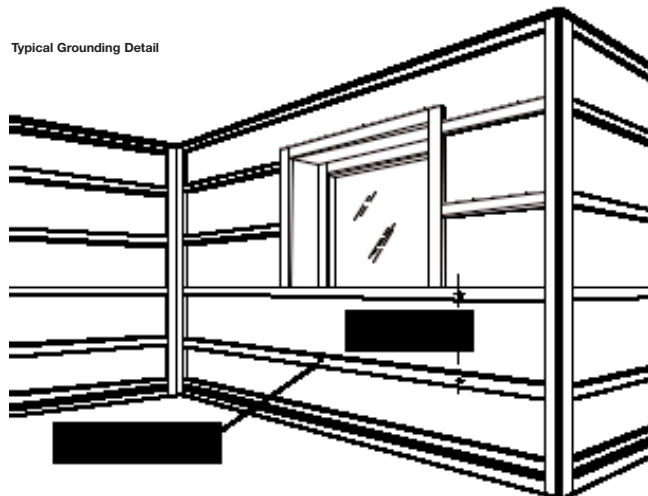
Preparing the wall

In most cases it will be necessary to fit out the entire wall surface with a groundwork of horizontal timber battens. This groundwork should be of prepared timber with a minimum thickness of 22mm and a maximum distance between centres of 500mm. The battens should be erected true and aligned with vertical grounds at internal and external corners. In certain circumstances it may be preferable to use a framework of metal angles or channels instead of timber grounds.

Panel Attachment Details



Typical Grounding Detail



Jointing and fixing

Close butt joints, without cover strips or surrounds, provide a clean uniform surface. But where joints occur it is good practice to bevel each panel slightly, so that a fine 'V' joint is obtained. Alternatively, feature joints may be created by spacing apart the edges of the boards, or by the introduction of an aluminium extrusion or laminate strip of contrasting colour.

For ease of installation and to minimise dimensional movement it is recommended that panel widths should be in order of 600mm.

There are many possible fixing methods, the choice of a particular method, or combination of methods, is usually dictated by:

1. The core material.
2. Type of installation.
3. Performance requirements.
4. Design criteria.

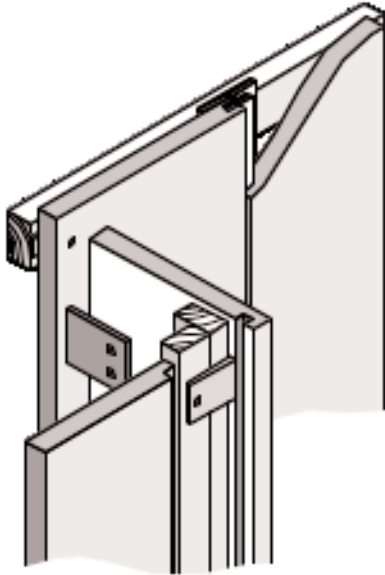
Panels may be attached to the prepared grounds by plywood buttons or metal clips, by fixing through the joint detail, or by a combination of both. Where plywood buttons/metal clips are used, the grounds will need to be machined to suit prior to fixing.

Where the panel thickness permits, the edges may simply be grooved and a loose tongue or spline of hardboard or plywood inserted to align the panel faces. This method should not be relied upon as the sole means of supporting the panel.

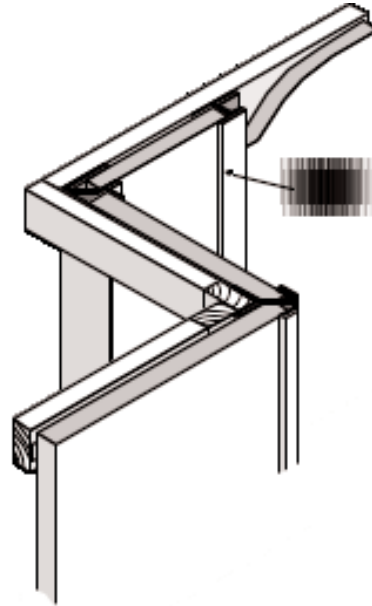
Internal and external corners may be finished either square-edged, or postformed for a softer appearance.

Fixing and Jointing Composite Boards 2 of 2

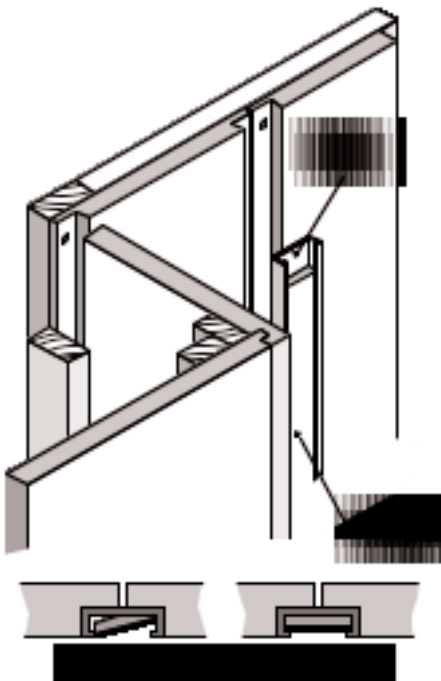
Panels with grooved edges may also be fixed with concealed extruded aluminium sections. This method requires the centres of the panels to be secured with Bostik pads or constructional neoprene adhesive.



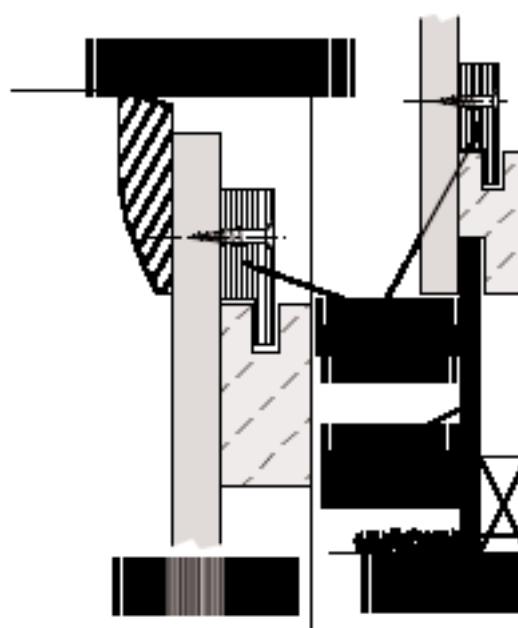
For soft cored boards such as calcium silicate, it is recommended that the edges are captured by aluminium extrusions.



Where aluminium channel is used, the panel edges are rebated and fixed to prepared ground using a temporary spacer to correctly position the joints. The aluminium channel is then screwed into the prepared space and filled with a foam backed laminate insert cut accurately to the internal dimension.



Ceiling and skirting details will be dictated by prevailing circumstances and design considerations; two examples are shown.



Fire Performance

General

Formica Limited hold test reports and certificates confirming the fire performance of Formica® products for use in construction, marine and transport applications.

Flame-retardent additives used in Formica® FR laminates are not halogen based and remain effective throughout the service life of the product.

Construction applications

Reaction to fire. In Europe, laminate panels intended for construction applications are tested in accordance with EN 13823 (SBI test) and EN ISO 11925-2 (Small-burner test), and the resulting reaction-to-fire performance is expressed in accordance with EN 13501-1.

The following table shows typical EN 13501-1 reaction-to-fire classifications of Formica® Compact laminates and composite panels.

Fire resistance. Fire resistance is the ability of a partition or door to prevent the passage of heat and flame for a specified period (e.g. 1/2 hour or 1 hour). Laminate panels intended for end-uses subject to resistance to fire regulations are tested in accordance with either BS 476 parts 20 to 23, or EN 1363, and the resulting performance classification is expressed in accordance with prEN 13501-2.

Formica laminates are frequently used on the surfaces of fire resistance doors and panels, however as the laminate has no significant effect on the fire resistance of the core-board to which it is bonded, a core construction must be selected that will give the required level of fire resistance.

Marine applications

Formica grade HGP, bonded to a non-combustible substrate, meets the requirements for flame spread, heat release, smoke generation and toxicity specified in IMO Resolutions A653 (16) and MSC 61 (67), and has been granted Marine and Coastguard Agency (MCA) type approval.

Product type	Typical EN 13501-1 classification
<ul style="list-style-type: none"> Formica Compact grade CGF> 6mm thick Composite panels comprising Formica FR laminate bonded to FR wood-based substrates 	B-s2,d0
<ul style="list-style-type: none"> Formica Compact grade CGF< 6mm thick 	C-s2,d0
<ul style="list-style-type: none"> Formica Compact grade CGS Composite panels comprising Formica standard grade laminate bonded to non-FR wood-based substrates 	D-s2,d0

Note 1: The fire performance levels shown in the above table are typical values. Fire test performance will depend on laminate thickness and construction, substrate type and thickness, and adhesive used. Please contact our Technical Services Department for further information and details of fire test reports and certifications held.

Note 2: Some specifications may refer to fire classification based on earlier European national test methods, e.g BS 476 parts 6/7 Class 0, 1, etc.; AFNOR NFP 92-501 Class M1, M2, etc.; DIN 4102-1 Class B1, B2 etc. Please contact our Technical Services Department for further information and details of fire test reports and certifications held.

Transport applications

BS 6853: 1999 specifies the fire performance of materials used in railway rolling stock. Three vehicle categories are specified (Ia, Ib, and II) which relate to the type of operating environment, e.g. single-track tunnel, multi-track tunnel, surface, etc. The limit values for flame spread, heat release, smoke density and toxicity depend on the vehicle category and the installation, which may be vertical, horizontal face-up or horizontal face-down.

Formica laminates have been tested in accordance with BS 6853 and the equivalent French and German standards. Please contact our Technical Services Department for further information and details of fire test reports and classifications held.

Door Cladding

With its attractive easy to clean surface, and resistance to abrasion, scuffing and impact, Formica® decorative laminate provides an excellent durable and maintenance free cladding material for doors in both industrial and institutional installations. This is especially applicable in hospital and laboratory areas where a hygienic easily cleaned surface is required.

Laminate grade

Whilst doors by definition are vertical surfaces, the necessity for good impact resistance is best satisfied by the use of horizontal grade laminates.

Types of doors

Typically there are two types of doors suitable for cladding with Formica decorative laminate.

Hollow doors

A typical construction consists of a frame of softwood members 33-44 mm wide x 25-29 mm thick, with a paper card honeycomb in-fill of the same thickness and a cell size of approximately 33mm. No other timber members are used except for short pieces fixed to those inside members where locks are to be fitted, and for framing around apertures.

Skins of plywood are glued to either side of this construction with thermosetting resin adhesive.

Formica decorative laminate is applied in a subsequent pressing operation, again using a thermosetting adhesive.

Hollow core doors provide neither fire nor acoustic insulation.

Solid core doors

These consist of in-fills of cork, flaxboard or chipboard (or alternatively glued stave and block construction) framed all round with glued timber members, and sanded flush.

3-4 mm plywood is glued to either side of this core with thermosetting resin adhesive.

Formica decorative laminate is bonded with thermosetting adhesive in a subsequent pressing operation. Solid doors can be used to provide both acoustic and thermal insulation and certain constructions can provide 1/2-hour and 1-hour fire resistance.

Semi-solid doors

This type of door construction, where the surface skins are supported only by vertical or horizontal members spaced at intervals, is not recommended for surfacing with Formica decorative laminate because of possible show through of the framework.

Adhesives

The adhesives used throughout should be at least EN 204 D3 quality.

Lippings

Solid hardwood lippings, typically 9mm thick, are often glued to the edges of doors (using thermosetting adhesives) to provide an attractive and durable finish.

They can be applied either before the application of the laminate (pre-lipping), or in a subsequent operation (post-lipping).

Glazing Apertures

Where openings are cut into either solid or hollow core doors, the internal corners must always be smoothly radiused (minimum 5 mm radius) to prevent stress cracking, and glazing beads shaped accordingly.

Exterior Use

Formica® decorative laminates are not recommended for exterior use because of possible colour fade and whitening of the melamine surface, which can occur through exposure to the UV radiation present in sunlight.

Any such colour change will obviously be much less if the laminate is in a shaded situation.

Where the possibility of some colour fade is acceptable and laminate is used outdoors, the surface should be cleaned regularly to prevent the accumulation of industrial grime.

For obvious reasons, it is imperative that the laminate is bonded to an exterior grade substrate (e.g. WBP plywood) using a moisture resistant adhesive and all board edges and joints must be sealed to prevent moisture ingress.

Writing Surfaces

Formica Glossy White laminate provides an ideal writing surface for use with dry-marker pens or felt tipped pens with water soluble ink. With the former, the marks can usually be removed with a dry cloth; a damp cloth should be used for water soluble felt tip markers.

Matt and textured surfaces are not recommended for use with marker pens because of possible 'ghosting', which can be difficult to remove.

Wax crayon and Chinagraph can also be used on Glossy and Matt Formica surfaces, and are best removed with a few drops of methylated spirits on a damp cloth.

Dark coloured Velour finish laminates make very good chalk boards.

In Situ Bonding to Walls

In almost all cases existing wall surfaces are not suitable for the direct application of decorative laminates. It is first necessary to line the wall with a good quality plywood or hardboard, well fixed back with masonry nails or screws.

Preparing the wall

On brickwork and similar rough surfaces, or where pipes run down the wall, it will be necessary to fit out the entire wall surface with a groundwork of timber battens or prefabricated framed grounds. These grounds should be prepared timber with a minimum thickness of 22 mm and with a maximum span between centres of 400 mm. They should be erected true and aligned with horizontal grounds at the top and bottom to receive the edges of the panels.

Lining material should be fixed to these grounds by nailing or screwing. This can be chipboard or plywood and should not be less than 9 mm thick. At this thickness cross noggings-pieces at 600 mm centres should be included, in order to prevent the lining from yielding between the battens when firm pressure is applied to achieve a good bond with the contact adhesive. For the same reason it is also necessary to ensure that the timber battens are well supported with adequate packing pieces at fairly close centres. All joints in the lining should be sanded down flush, and the joints in the lining should not coincide with the joints in the laminate.

Preparing the laminate

Whenever possible it is advisable to store the laminate in the conditions in which it is to be finally installed. Laminates will generally take two to three days to reach equilibrium with their surroundings. The quickest way to achieve equilibrium is to place the laminate sheets on site, so that air can get to the backs as well as the fronts.

Before applying the adhesive, the sheet of laminate should be offered up to the wall and some means of positioning provided, e.g. nails fixed to the bottom of the lining, or blocks of wood of the required height laid on the floor.

Applying the adhesive

Spread the adhesive evenly, first to the back of the laminate and then to the prepared wall surface. The use of serrated spreaders will help to ensure an even thickness of adhesive.

Brushable contact adhesives can be obtained but care should be taken with these to ensure that sufficient thickness of adhesive is deposited on the surfaces. On the other hand too much adhesive can result in entrapped solvents which will weaken the final bond.

The adhesive should be allowed sufficient time to dry, (this will vary depending on temperature and humidity conditions), in order to achieve the correct tack-level. A useful test is to apply a small piece of brown paper to the glued surface; when the paper does not stick, the surface is ready for bonding.

It should be noted that contact adhesives should never be used under conditions of high humidity, or very low temperature.

Applying the laminate

Offer the laminate panel into position, making sure that the two surfaces do not come into contact before the sheet is properly aligned. One method of doing this is to insert a large sheet of brown paper between the laminate and wall lining. This can be pulled out when the laminate is finally ready to be pressed home.

Start by pressing down one edge, then work away from this edge across the sheet, making sure that no air is trapped underneath. Go over the entire surface with a heavy-duty hand roller, applying as much pressure as possible. Alternatively, a block of softwood and a hammer can be used.

Expansion gaps should always be allowed between each sheet. The easiest way to achieve this is to use panel pins approximately 400 mm apart, tacked temporarily along the vertical edge of the sheet which is already in position. The appearance of this gap is improved if the edges of the laminate have been bevelled and polished. If the gap is to be filled flush, hard-setting sealant should not be used.

Panels must be no wider than 600 mm, and it is obviously easier to handle and apply narrower panels of say 400 mm width. With woodgrains this can be used to simulate planking effects.

Compact Laminates in Wet Areas

Compact laminates are well suited to wet area applications such as shower cubicles, swimming pool lockers, etc. providing certain safeguards are observed.

Formica® Compact Grade Laminate will withstand frequent wetting with hot or cold water and/or prolonged exposure to high humidity, but is not recommended for applications involving long term total immersion.

Only standard grade Compact laminates (Formica grades CGS and CBS) should be used in wet areas, as the hygroscopic nature of flame-retardant additives may give rise to surface blisters on FR Compact laminates (Formica grade CGF) if subjected to prolonged exposure to wet conditions.

In common with all high-pressure decorative laminates Compact laminates undergo a certain amount of dimensional movement when subjected to changes in humidity. In order to minimise the risk of bow occurring as a result of this movement, the following points should be observed:

- 1.** Panels should be cut with the long edge parallel to the length of the sheet. Dimensional movement across the width of the sheet is twice as great as it is along the length, so cutting panels with the long dimension running across the width of the sheet will greatly increase the risk of bowing.
- 2.** As far as possible the ambient conditions should be the same on each side of the panel, as it is important that both sides gain or lose moisture at roughly the same rate. Where panels are mounted on a wall or enclose a vanity unit, adequate ventilation must be provided to ensure that temperature and humidity conditions at the backs of the panels are essentially the same as those at the front.
- 3.** Fixing centres should be sufficiently close to prevent excessive freedom of movement. Shower cubicle doors greater than 1500 mm high should have three hinges.

Special Products

Formica® Compact Grade Laminate 1 of 2

Decorative laminates are normally supplied as veneers, and require bonding to supporting substrates. Increasing the laminate thickness gives a corresponding increase in the laminate's self supporting properties, making it possible to dispense with the supporting substrate and the associated bonding and edging operations. Such thick laminates are termed Compact grades.

Compact grades are decorative laminates with a thickness of at least 2 mm, and generally have a decorative surface on both sides. Being of homogeneous construction, they offer excellent dimensional stability and mechanical strength. Whilst boards below 4 mm thick usually require some measure of support (e.g. a metal frame), thicker boards can be regarded as self supporting. Boards over 8 mm thick are suitable for horizontal applications with the minimum of support. Not only do they meet all the requirements of EN 438, ISO 4586 and the highest performance levels specified in BS 4965, they also possess high impact and moisture resistance. Compact laminates are available in both standard and flame-retardant qualities.

Transport

During transport it is essential to use pallets of sufficient size to support the whole of the sheet area. Pallets must be strong and stable enough to support their load without bending or buckling.

The surface of each board must be free from debris, grit or foreign bodies, as they can become embedded under the weight of the stack resulting in damage to the surface.

When loading and unloading, boards must not be pushed or dragged over one another, but lifted cleanly by hand or suction device.

Stacked boards must be made secure against slipping.

Storage

Compact sheets should be stored in enclosed warehouses where normal interior conditions (18-25°C and 50-60% relative humidity) are maintained.

Compact laminates will remain flat if stored horizontally in packs on a flat base board, with their edges flush with one another.

The base board must be dry, and ideally it should be covered with a material impervious to water, to act as a moisture barrier.

The top sheet of each stack should also be covered with a moisture barrier/cover board, with sufficient weight to remain flat and in contact with the whole surface area of the top Compact sheet.

This procedure should be maintained throughout their storage (whether in a warehouse or on the fabrication shop floor) and reinstated whenever a sheet is removed from the stack.

If Compact sheets are not stored flat for any length of time, deformation can result which will be almost impossible to rectify, particularly with thicker boards.

Protective films must be removed from both sides simultaneously.

Fabrication

All the general recommendations for the fabrication of thin laminates also apply to Compact laminates and they should be treated in the same manner as double sided composite boards. The following additional recommendations should also be observed.

General

The increased thickness of Compact laminates imposes greater demands on cutting tools and causes greater wear. Slower feed-speeds than those generally used for cutting HPL faced composite boards are required. The degree of feed-speed reduction will depend on the thickness of the laminate and the quality of finish required. Tool manufacturers should be consulted as to the type and quality of tungsten carbide tipping to provide the best performance. Where long production runs are contemplated, and where a high quality finish is required, it is worth considering PCD (Polycrystalline Diamond) tooling.

In all machine processes, localised heating caused by poorly maintained saws and cutters must be avoided.

For optimum flatness the longest dimension of the panel should always be cut to coincide with the longest dimension of the Compact sheet.

Sawing

Saw blades normally used for cutting double sided composites are generally suitable for cutting Compact grades. Saws of less than 2 mm in thickness are not recommended.

Breakout on the underside of Compact sheets can be reduced by various methods.

1. By the use of a pre-scoring blade on the underside.
2. Using a base-board of plywood or hardboard beneath the Compact sheet.
3. Altering the exit angle of the saw blade by adjusting the height setting.

Note: The higher the saw blade the better the top cut and the worse the bottom cut and vice versa.

The feed speed essentially governs the quality of the saw cut when sawing Compact laminates having two decorative faces.

A speed of between 0.03 mm and 0.05 mm per saw tooth has been found to be the most successful.

Formica® Compact Grade Laminate 2 of 2

Profile cutting and edge finishing

It is not necessary to apply edging strips or edge sealants to Compact panels, and for many applications clean sawn edges are sufficient.

A spindle moulder or router may be used to achieve a superior finish or a profiled edge. For this type of work PCD tooling is recommended. Although it is not possible to achieve complete freedom from cutter marks, they can be minimised by feeding the work at a constant controlled speed by the use of a mechanical power feed. Care should be taken to avoid pausing during cutting and profiling, as burn marks may result which are difficult to remove. Where it is desirable for edges to be completely free from cutter marks, a further sanding and scraping operation is necessary. Edges may be further enhanced by buffing with steel wool and applying silicone free oil.

Chamfering or profiling the edges of Compact panels will reduce the risk of edge impact damage.

Drilling

The most suitable drills for use on Compact laminates are those designed for plastic sheet materials. These drills have a point angle of 60°- 80° instead of the normal 120° for drilling metal.

To avoid breakout on the reverse side, the feed speed of the drilling head and the pressure applied should be gradually reduced approaching the point of breakthrough. Working on a firm underlay, such as plywood or chipboard, will also reduce the risk of breakout.

For blind boring into the face, the depth of the hole should be such that at least 1.5 mm of material remains between the bottom of the hole and the other side of the sheet. TCT lip and spur drills will produce clean flat bottomed blind holes, with less risk of point penetration on the reverse side. This will allow maximum depth of material to be used for fixings. Compact sheets less than 10mm thick are not considered suitable for blind fixing.

When drilling parallel to the surface (edge drilling) at least 3 mm of material must remain on either side of the hole. Threaded holes can be produced using engineers screw cutting taps. Self-tapping screws or threaded brass inserts may also be used.

Installation

In the planning of any installation, it is essential to take into account the dimensional movement that can occur with Compact laminates and allowances must be made in the design, fabrication and installation processes. Movement in the length direction of the sheet is about half of that in the width direction. Typical dimensional movement values resulting from extreme change in relative humidity are as follows:

Transverse direction of the sheet:	2.5-3.0 mm per metre
Longitudinal direction of the sheet:	1.0-1.5 mm per metre

Compact panels used for wall cladding may be fixed by screwing directly through the face, or by hanging on a rigid supporting timber or metal framework with 'Z' clips. Thinner grades, 4-6 mm, may be bonded to a wood-based framework with heavy duty building adhesives. The chosen method of attachment will depend on the installation, board thickness and visual design criteria. In all applications the panels must be fixed to a rigid secure system of horizontal supports at not more than 600 mm centres, with vertical support members at the joints appropriate to the detailing.

Fixing clips should also be at maximum 600 mm centres. It is recommended that panels of less than full board width are used, both for ease of handling and reducing dimensional movement.

Compact panels should not be fixed to freshly constructed blockwork or brickwork until adequate drying has taken place, nor should they be fixed to damp external walls without the protection of a damp-proof membrane.

Adequate ventilation/air circulation must be provided behind the panels either by notching the support members or packing them off the wall. Typical minimum ventilation access at the top and bottom of the panels should be 20 cm² per square metre of panel area.

Direct face fixing

Through fixing holes should be at least 1.5 times the outside diameter of the screw being used, and should be a minimum of 20 mm from the edge of the panel. Soft plastic bushes should be used to ensure correct centring of the screw in the hole, whilst still allowing for movement. Countersunk screws should not be used.

Attaching fixing devices

'Z' clips and other secret fixing devices may be attached to the back of panels with 'Taptite' self-tapping screws or threaded brass expansion inserts. Screws and bolts with slow threads provide better resistance to working loose than those with fast threads. In all cases a blind pilot hole of the correct size must first be bored in the back of the panel. The depth of the hole should be at least 1 mm greater than the penetrating depth of the screw, and should leave at least 1.5 mm of material between the bottom of the hole and the face of the panel.

Rigid items, such as 'Z' clips and fixing angles, fixed to Compact panels, should have oversize holes to accommodate differential movement. A slip foil between the two components is also recommended. Expansion fasteners should not be used in edge-drilled holes (i.e. parallel to the surface).

Edge-to-edge jointing

Edge-to-edge joints may be either tongued and grooved, or simply grooved and a loose spline inserted. Whichever method is chosen, the wall thickness of the groove should be greater than the width of the groove. The depth of the groove should be no greater than the thickness of the board, and the length of the tongue/spline should be such as to accommodate the maximum anticipated movement. Compact laminates less than 8 mm thick are not suitable for edge grooving.

Edge retaining profiles

Edge retaining profiles of steel or aluminium should be used in situations where some movement of adjoining panels is anticipated, such as in vehicle construction.

Postformed corners

Internal and external postformed Compact corners can be produced to a minimum radius of 15 mm and a maximum girth of 300 mm. Check with our Fabrication Support Unit for details.

Formica® ColorCore 1 of 2

Formica® ColorCore is a high quality surfacing material, and although most of the equipment and techniques used in the fabrication of normal laminates will apply, some additional techniques may be necessary to utilise the full potential of the product.

Handling and storage

Because ColorCore is slightly more brittle than normal laminates it should be treated more carefully.

ColorCore should always be stored horizontally. Vertical storage is not recommended because of the risk of edge damage.

Boards should be stacked neatly, since projecting edges and corners are vulnerable to impact damage. If the sheet edges are accidentally damaged extra care should be exercised when lifting to prevent the sheet from tearing.

Storage conditions should be the same as those recommended for normal Formica decorative laminates.

Cutting

ColorCore can be cut using the same standard tools and equipment as used for other Formica decorative laminates. Cutters and saws should all be TCT and must be kept sharp to avoid chipping.

Because the slightly more brittle nature of ColorCore may result in chipping on the underside when cutting on circular saws, precautions should be taken to minimise the risk. Such precautions include: lowering the saw in the saw bench; reducing the throat of the saw by placing a piece of hardboard under the cut; changing the saw blade for one with negative angle teeth; or simply allowing an extra amount for edge trimming.

Large sheets may be cut by scoring but extra care must be taken to prevent shattering.

Cutting ColorCore on a laminate slitter is not recommended.

When cutting ColorCore by hand using a fine toothed saw, it should be well supported on both sides of the cut to prevent tearing.

Bonding and pressing

ColorCore may be hot or cold pressed and all the normal recommendations for bonding Formica decorative laminates should be followed.

The most important point to remember is that the solid colour has no dark edge to mask the glue-line. Tight joints at right-angle intersections, and the use of non-pigmented or transparent drying adhesives are essential to achieve a visually satisfactory end result.

Substrates

ColorCore may be used with any substrate suitable for normal Formica decorative laminate.

Adhesives

Although almost all normal laminate adhesives can be used to bond ColorCore, contact adhesives (particularly hand applied) are not recommended.

These flexible adhesives cannot properly restrain ColorCore, and this can lead to stress cracking and edge lifting unless special precautions are taken.

Since there is no dark edge to disguise the glue-line, the wrong choice of adhesive may result in the end product being visually unacceptable. Clear drying PVA or UF adhesives give the best results, but will of course require sustained pressure.

If the use of contact adhesives is unavoidable then perimeter bonding, using a combination of adhesives, may be used to good effect. The technique involves bonding the main area of the panel with contact adhesive, and bonding a 25-30 mm perimeter strip with PVA or UF.

The edges should be cramped or taped down to produce a tight joint. This technique should also be employed around the edges of cut-outs.

The glue-line should be kept as thin and even as possible, consistent with achieving a sound bond. This is particularly important at the arrises, where a thick glue-line would spoil the desired monolithic effect.

Pigmented and dark coloured adhesives such as Resorcinol should be avoided, since the resulting coloured glue-line would be clearly visible in the finished product. If the use of dark coloured adhesives is unavoidable some modification to the normal bonding sequence may be necessary to enable the final piece of ColorCore to be bonded with a more suitable adhesive. For instance, hot-melt or neoprene could be used for pre-edging, and the main panel area bonded with PVA.

Post-applied edges will require more care in fabrication and choice of adhesive in order to produce an acceptable result. Hot-melt and contact adhesives should not be used for post-applied edging if a seamless joint effect is required.

Backing

Where optimum flatness is required, use the same ColorCore laminate on both sides. Where a degree of bow can be tolerated (but within BS 4965 limits), or for panels that are fixed to a rigid substructure, use ColorCore Balancer.

Bending

ColorCore can be bent, but only to large radii because of its inherent stiffness. Strips 60 mm wide can be cold bent to a minimum radius of 150 mm, but the minimum radius will increase with increase in strip width. Heat will facilitate bending, but ColorCore is not postformable.

The solid seamless appearance for postformed components can be achieved by capping the ends in ColorCore.

Note: Due to the special characteristics of ColorCore, exact matches between Formica® ColorCore and Formica® Plain Colours products may not always be possible. Formica Limited recommend the comparison of actual laminate samples prior to specification or fabrication.

Machining and finishing

All conventional tools and machines used for normal Formica decorative laminates can be used for fabricating ColorCore, and all general recommendations relating to fabrication should be followed.

To achieve aesthetically acceptable results the flushing off of the first piece of laminate to be applied, whether it is the edge or the main surface area, is critical. The overhanging ColorCore must be trimmed absolutely flush with the surface of the substrate; otherwise visible gaps will be evident at the arrises.

Formica® ColorCore 2 of 2

Arrises must be trimmed with hand trimmers in the usual manner, with either bevelled or small radius TCT cutters. For best results hand finishing with a fine file and a cabinet scraper is recommended. Generous bevels and radii up to 2.5 mm may be produced at the arrises, but it should be remembered that such large bevels and radii require more finishing to blend with the surrounding surface.

When filing or sanding the edges flush with the substrate, always work towards the substrate to prevent surface chipping. Sanding belts should be no coarser than 100 grit.

When trimming ColorCore down to the surface of normal laminate take extra care not to expose the brown core of the latter at the intersection.

Special effects

The solid colour of ColorCore enables a wide variety of decorative effects to be achieved by techniques such as multi-layering, engraving, routing and sandblasting, or by combinations of any of these. The use of hardwood edges in conjunction with ColorCore can also create very interesting details.

Multi-layering

Multi-coloured sandwiches of ColorCore can be bonded together and then sawn at 90° to the glue-line. These laminate strips can then be used for pre-lipping the edges of table tops, etc. for a solid laminated look.

Laminated work of this kind should be bonded with an epoxy adhesive and flat pressed. Prior to bonding, the decorative surfaces of the inner laminations must be thoroughly sanded to provide a good key for the adhesive.

Engraving and routing

The surface of ColorCore may be engraved or routed to a maximum depth of 0.8 mm. Interesting effects may be achieved by this method, ranging from straightforward sign-writing to intricate monochrome patterns and designs.

Designs in two or more colours can be achieved by a combination of multi-layering and routing. This technique entails bonding one colour on top of another and routing through to reveal the underlying colour or colours. Adhesives and bonding procedure should be the same as for multi-layering.

It should be remembered that cutting through the surface will release tension to some degree, and it may be necessary to machine the reverse side to maintain panel stability and prevent bowing.

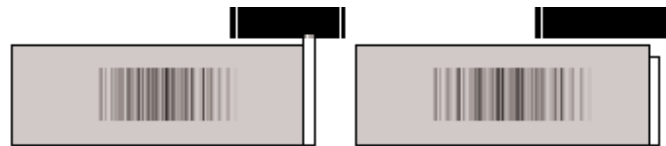
A slight colour change may be noticeable in the machined areas due to differences in gloss levels, particularly with dark colours.

This difference in appearance can be minimised on narrow engraved lines by the application of a light silicone-free oil. Alternatively, large routed areas may be scraped and polished using progressively finer grades of glass paper, and a final buffing with T-Cut or Brasso.

Sandblasting

Sandblasting is another technique that can be used to create interesting decorative effects with ColorCore, with surface texturing ranging from subtle changes in gloss level to deep sculpturing to a maximum depth of 0.8 mm.

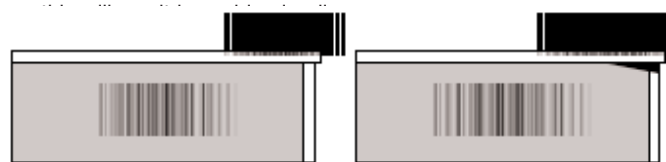
Fabrication guidelines



In order to produce a tight joint allow up to 6 mm overhang when applying the first piece of ColorCore to the edge of the substrate, for subsequent machining flush with the surface.



To avoid chipping, use sharp tools to machine ColorCore flush with the substrate. When sanding always work towards the substrate, using a fine grit sanding belt. Take care not to round-over the edge



Apply the surface laminate with a thin (but sufficient) even coating of adhesive, again allowing a slight overhang. Use appropriate bonding pressure to achieve a tight glue-line.



Machine the finished edge of the surface laminate with a bevel or radius cutter, and file or scrape smooth.

Formica® Metallics 1 of 3

Formica® Metallics are high pressure decorative laminates with metal surfaces. The range offers plain metals, patterns and textures in antique, classical and modern styles using real metal surfaces of aluminium, copper, chrome and stainless steel.

The polished chrome surface is chrome plated onto copper. Other polished effects have anodised aluminium surfaces, and all other aluminium surfaces are coated with an epoxy lacquer to protect the aluminium foil. Copper surfaces are protected with a polyurethane lacquer.

General characteristics

Metallics laminates are intended for use in vertical and light duty interior applications. They are not suitable for areas subject to wear and tear, such as horizontal working surfaces, or for long-term exposure to high humidity, wet conditions, or temperatures exceeding 60°C.

In some fluorescent lighting conditions Metallics laminates can display iridescent effects, and panels should be viewed under actual lighting conditions prior to fixing.

During fabrication and installation always ensure that the sheets are all in the same running direction (as indicated on the protective coating), as variations in appearance can occur if sheets or panels are rotated through 90° or 180° in relation to each other.

Sheets with linear features (e.g. Isis, Titan) may need a dressing cut to properly align and position the feature relative to the edge.

Fire performance

Although they are only manufactured in standard grade, many items on the Metallics range have good flame-retardant properties by virtue of their metallic surfaces.

More detailed information is available from our Technical Services department upon request.

Handling and storage

Sheets should be kept flat during storage and transport. They should not be rolled as this may induce a permanent bend in the laminate which will make subsequent fabrication more difficult.

A protective coating is supplied on all sheets of Metallics laminates for protection during handling, fabrication and transport. It is recommended that the protective coating is left on the laminate until the finished product is installed and ready for use.

Do not use adhesive tapes on the surface as they may damage the lacquer coating.

Fabrication

With the exception of Stainless Steel, Formica® Metallics laminates can be fabricated using the same techniques as for any Formica decorative laminate, however extra care is required to ensure good quality finished appearance.

General machining

With the exception of Stainless Steel, Metallics laminates can be machined using the same standard tools and equipment as used for other Formica decorative laminates, but extra care should be taken to avoid damaging the surface.

Formica® Metallics 2 of 3

Machining Stainless Steel

Stainless steel is a very hard metal, and although the foil is only 50 to 100µm thick, it will still have an adverse effect on cutters and some reduction in cutter life should be expected. Heat generated by friction is the main problem, and anything that reduces this will prolong cutter life.

Sawing stainless steel Metallics will not present any special problems. TCT saw blades with a triple chip tooth profile will produce good results. Always cut with the face-side up, allowing 20-25 mm of blade projection above the surface of the board. Reducing the throat of the saw to the kerf width by the use of a carrier board will eliminate pulling and bending of the laminate. For double sided panels the use of a scoring saw is recommended.

Edge milling and trimming are the two operations where problems may be experienced. Most routers and laminate trimmers revolve at between 15,000 and 30,000 rpm which, at normal feed speeds, is too fast for stainless steel and causes friction generated heat that will quickly dull the cutter.

The solution to this problem is to reduce the cutter speed and/or increase the feed speed to achieve an acceptable finish with minimum cutter marks. Some experimentation may be required to achieve optimum results.

With variable speed equipment always start at the lower end of the rpm scale to avoid damage to the cutter during setting up. With fixed speed equipment always feed as fast as possible within the limits of the equipment. At 15,000-18,000 rpm a feed speed of 15 m/min. has been found to produce acceptable results.

Retract the cutter from the workpiece as soon as the cut is complete, and do not pause mid-cut, as dwelling at one spot will greatly reduce cutter life. Over-extending a dull cutter will result in excessive heat that may cause delamination of the stainless steel foil. Use small diameter cutters to reduce peripheral speed.

Edge milling of laminated panels on CNC routers is best carried out using solid carbide spiral cutters with either left or right hand twist. The choice will depend on whether the panel is face up (left-hand twist) or face down (right-hand twist).

Machines that have a relatively low rotational speed, but a high peripheral speed (such as spindle moulders) will inevitably produce a cutter chatter pattern if fed at high speed.

However, if an optimum balance between the most suitable machine speed and feed speed is established an acceptable finish can be achieved.

Edge trimming may be carried out with conventional equipment, i.e. fixed or portable routers, or hand laminate trimmers. If hand trimmers are used, the overhanging laminate should be kept to a minimum to enable the limited power of the machine to cope with faster feed speed.

Bevel trimming at 60° is preferred to 45° as this will minimise the width of cut through the stainless steel. Flush trimming at 90° will give the maximum cutter life, as vertical movement will produce a number of fresh cutting edges.

Any slight burrs or cutter marks may be removed with a fine file or abrasive paper, always cutting on the down stroke.

In order to achieve the best possible finish on stainless steel, all cutters used must be sharp and well maintained. Disposable TCT cutters are recommended wherever possible, for speed and ease of maintenance.

If self-guide cutters are used they should be of the ball bearing type and not fixed pin. Make sure all bearing guides are free running to avoid marking the surface.

CAUTION: Burrs and metal edges are very sharp and can cut flesh and electric cables.

Formica® Metallics 3 of 3

Substrates and adhesives

Due to the nature of the surface finishes (especially polished finish) only substrates with a high quality surface, free from undulations and imperfections, should be used.

Most adhesives can be used with the exception of those based on urea (i.e. UF and MUF types).

Adhesives must be evenly spread and free from inclusions to avoid surface distortion. With polished finishes, best results are achieved using adhesives with low shrinkage (e.g. PVA) to minimise telegraphing.

Whilst good fabrication technique can minimise optical distortion, some surface ripple is inevitable and it is not possible to achieve a perfect mirror finish.

Pressing

Metallics laminates should be press bonded to achieve optimum aesthetic appearance.

Press platens and nip rollers must be clean, and any creases in the protective coating should be smoothed down prior to pressing. Any glue spillage should be removed immediately with warm water and a damp cloth.

Cold or hot pressing (60°C maximum) can be used, at a pressure of 10-30 N/cm² (14-43 psi).

When pressing embossed laminates suitable padding should be used to obtain uniform pressure.

Counter veneering

Do not use melamine surfaced decorative laminates to balance Metallics.

For optimum flatness use the same laminate on both sides (Category A).

Flatness meeting BS 4965 requirements (1 mm maximum distortion over 600 mm length) can be achieved using the corresponding metallic balancer (Category B).

For small panels, or where flatness is less important, a phenolic laminate backing board may be used (Category C).

Pre-conditioning should be carried out as for normal laminates.

Finishing

Edges may be trimmed in the normal manner and any burrs can be removed with a fine file, always working towards the laminate surface. Corners of internal cut-outs must be radiused and free from chipping.

Cold bending

As a general rule, Metallics laminate strips in widths of up to 60 mm can be cold bent to a radius of 200 mm. Although it is possible to cold bend wider strips considerable force is required and, in addition to adhesive, the laminate must be fixed back with a metal section or capping strip to prevent spring-back.

Postforming

Some Metallics items are available in postforming quality, identified by the letters PF printed on the protective coating. These laminates can be formed in the temperature range 120-130°C, using normal static or continuous postforming machines. The recommended minimum forming radius is 12mm, although tighter bends may be achievable depending on equipment and technique.

Care and maintenance

Formica Metallics laminates should be cleaned with warm soapy water or mild household detergent solution and a soft cloth. Abrasive cleaners must not be used.

Solvent cleaners must be used with care and should be tried first on a scrap off-cut to ensure that no surface damage results. Solvents must not be used on products having polyurethane lacquer finishes.

Metallics product	Category A (Optimum flatness)	Category B (Flatness within BS4965 limit)	Category C (For sealing purposes only)
Polished Chrome		MCB Polished Chrome Balancer	
Other Polished Finishes and Cubics		MBP Polished Metallic Balancer	
Matt and Brushed	Laminate identical to that of face laminate	MBM Matt Metallic Balancer	Universal backing board
Embossed Aluminium		MBAE Embossed Aluminium Balancer	
Embossed Copper		MBCE Embossed Copper Balancer	
		Stainless Steel Balancer	

Formica® Veneers 1 of 3

Formica® Veneers wood surfacing is a real wood veneer laminated to a phenolic core, which combines the practicality of a high pressure laminate with the warmth of natural woodgrains.

The Veneers range incorporates the beauty of a natural wood with exotic designs, giving more consistent quality and ease of use than wood veneers, while demonstrating sensitivity towards the environment.

Formica® Veneers may be fabricated in the same manner as conventional Formica laminates, but because of its composite form special care should be exercised before and during fabrication.

Formica® Veneers are available in three surface finishes:

Melamine

The surface is protected with a melamine overlay, giving a durability similar to that of conventional decorative laminates.

Polyurethane

Clear durable polyurethane (Pu) finish, enhancing the colour and grain of the veneer. It looks and feels like wood, and requires no varnishing.

Wax

Similar to Polyurethane finish, but with the surface touch of natural wood.

Storage and handling

Although the phenolic core of Formica® Veneers facilitates the handling of large sheets, care must still be exercised when lifting and carrying the product. If handled carelessly, splitting along the grain may occur.

Always carry Formica® Veneers sheets vertically, and never slide fabricated panels on the decorative face.

Storage conditions should be the same as those recommended for conventional decorative laminates (18-25°C and 50-60% relative humidity).

Sheets should be stored flat and horizontal, back to back with the top sheet turned face down. A cover board should be placed over the stack to prevent top board curl.

Protect from sunlight and moisture, and never store directly on the floor. As with all real wood products, a slight overall colour change may occur over a period of time. Do not allow partial exposure to light as this may cause uneven colour change.

Conditioning

Because Formica® Veneers are 50% real wood, they are more susceptible to the effects of changes in humidity than conventional laminates. In common with other wood products, they will expand in damp conditions and shrink in dry conditions. It is therefore vitally important that correct preconditioning is carried out.

Prior to bonding the Veneers sheets, substrates and backing veneers should be stored together in conditions similar to the anticipated end-environment for a period of 8-10 days. Separators should be used to ensure maximum air circulation around the components.

Substrates

The recommended substrates for use with Formica® Veneers are MDF, chipboard and plywood.

Plasterboard, calcium silicate boards, blockboard and solid timber are not recommended. Do not bond Formica® Veneers direct to plastered or rendered walls.

The substrate must be of good quality, with a smooth surface. All the usual precautions to avoid telegraphing should be observed, i.e. clean press area, freedom from dust and debris, uniform adhesive spread.

Adhesives

Formica® Veneers should be properly press bonded to the substrate using a rigid or semi-rigid adhesive such as UF or PVA. Contact adhesives, particular hand applied, are not recommended.

Any adhesive smear should be removed with a damp cloth before curing takes place. Do not use any solvents on PU or Wax finishes.

Pressing

Cleanliness in the pressing operation is of paramount importance.

Formica® Veneers may be hot pressed, but the press temperature should not exceed 60°C. Cold or warm pressing will produce better stress free panels.

Pressures should be normal for the type of adhesive used, typically 2-5 kg/cm² for PVA, and 3-5 kg/cm² for UF.

Postforming

Polyurethane finish Formica® Veneers can be postformed in a similar manner to conventional postforming laminates, using static forming machines. However, the forming temperature is lower and the window of formability is much narrower. The ideal forming temperature is between 140°C and 150°C, and the minimum recommended forming radius is 12 mm in the longitudinal direction (i.e. with the grain) and 25 mm in the transverse direction.

The above temperatures and minimum radii are intended only as a guide and may vary slightly with the grain pattern and type of postforming equipment. It is, therefore, recommended that fabricators conduct their own preliminary trials.

The protective film may be left on during the postforming process, but should be removed immediately after forming.

Whilst it is possible to postform Polyurethane Formica® Veneers on continuous postforming machines, trials should be carried out to ensure that the protective film does not foul the rollers. And if the protective film is removed, trials should be carried out to ensure that the forming bars and rollers do not mark or damage the surface.

Melamine and Wax finish laminates are not postformable.

Formica® Veneers 2 of 3

Machining

Formica® Veneers may be cut and machined using the same equipment as for conventional Formica laminates. TCT saws and cutters are recommended, and these must be kept sharp and in good order.

When cutting double sided panels, precautions must be taken to prevent splitting and breakout on the underside. The use of a scribing saw is recommended, particularly on cross-grain cuts. Lowering the saw blade will also reduce underside chipping.

The saw fence must be parallel with the saw to prevent face chipping caused by the back of the saw flicking up the surface.

Overhanging laminate may be trimmed off with normal laminate trimmers using sharp TCT cutters. Make sure that any guide wheels are rotating freely to prevent marking the surface. Do not use cutters with fixed pin guides.

Formica® Veneers may also be trimmed with a sharp block plane, and finished with a file or fine abrasive paper to remove the arris.

Cut-outs and through fixings

As Formica® Veneers are more susceptible to the effects of changes in humidity than conventional laminates, it is especially important to follow the recommendations in the Design Considerations section in order to avoid stress cracking.

Any cut outs (for access, switches, ventilation grilles, etc.) with side length of up to 250mm, must have the internal angles smoothly radiused to a minimum of 6 mm. This radius should be increased pro rata as the side length increases. In general, the larger the radius that can be accommodated the lower the risk of stress cracking.

Where radiused corners are not possible butt joints should be used to achieve right-angles.

Screw or bolt fixings, for appliances that are fixed to the face of a panel, should have a clearance hole bored through the Formica® Veneers.

Holes for fixings that pass right through the panel and into the substructure should also be provided with adequate clearance. The minimum recommended clearance is 1.5 times the diameter of the fixing.

Countersinking should be in the surface of the substrate, and not in the laminate.

Nails should never be driven through a Formica® Veneers faced panel.

Skirtings, cornices and other applied timber mouldings should either be bonded or screwed in place. If screws are used, adequate clearance must be provided as described above.

Edge lipping

The edges of panels surfaced with Veneers may be edged by any of the conventional methods. The most sympathetic material is obviously real timber, but edging with Formica® Veneers or ColorCore can also be used to good effect.

Excess adhesive should not be allowed to cure on the surface, as its removal may result in damage.

Release agents may be used, but should be first checked on an off-cut to ensure compatibility. Any residual release agent should be removed carefully.

Do not use any solvents on Polyurethane and Wax finishes.

Solid timber edges should be sealed and finished according to the application.

Balancing

For optimum flatness use the same laminate on both sides (Category A).

Flatness meeting BS 4965 requirements (1 mm maximum distortion over 600 mm length) can be achieved using the appropriate balancer (Category B).

For small panels, or where flatness is less important, any conventional laminate backing board may be used (Category C).

Pre-conditioning should be carried out as for normal laminates.

Finishing

Formica® Veneers laminates are pre-finished and therefore require no further surface treatment.

Applications

Formica® Veneers are produced in finishes to suit a variety of applications and requirements.

Polyurethane and Wax finishes

Intended for dry interior, light duty applications, e.g. horizontal surfaces on domestic bedroom and sitting room furniture, vertical wall panels above two metres from floor level where only moderate durability, stain and heat resistance are required.

Melamine finish

Intended for dry, interior, horizontal and vertical applications where improved durability and resistance to stains and heat are required.

Care and Maintenance

Formica® Veneers should be treated in the same manner as fine wood furniture and may be cleaned with a damp cloth and mild detergent. Do not use polishes or waxes on any Formica® Veneers surface.

Do not place hot objects directly on the surface of Polyurethane or Wax finish Formica® Veneers, and do not use any abrasive or solvent cleaners.

Melamine finish can be cleaned in the same way as conventional laminates. It will withstand moderate heat, but very hot objects (hot pans, casserole dishes, etc.) should not be placed directly on the surface.

Formica® Veneers product	Category A (Optimum flatness)	Category B (Flatness within BS4965 limit)	Category C (For sealing purposes only)
Melamine finish	Laminate identical to that of face laminate	Production backing board	Any conventional laminate backing board
Polyurethane and Wax finishes		Universal backing board	

Specification Clauses

Specification clauses all follow a similar general pattern; but different applications and products each require different types of detail appropriate to the specification.

Where possible, use NBS Specification Clauses, ensuring that all details are complete. The following NBS clauses are relevant when specifying various Formica® products:

K13 Rigid Sheet Fine Linings / Panelling

Clauses: 130, 140

K32 Framed Panel Cubicle Partitions

Clauses: 10, 120

L20 Doors / Shutters / Hatches

Clauses: 20, 230

N10 General Fixtures / Furnishings / Equipment

Clauses: 350, 40

N13 Sanitary Appliances / Fitting

The NBS web site (www.nbsplus.co.uk) contains pro-formas for each of those clauses, ready to complete with your details.

Where no NBS clause exists, devise your own specification clause covering the essential details.

For help with writing a specification clause, contact your local Specification Advisor.

As a guide to completing specification clauses, see the example that follows.

Formica® Solid Surfacing

Formica® Solid Surfacing material is a man-made product of great versatility, ideal for elegant and durable three-dimensional surface design.

A material which combines superb appearance with easy workability, Formica Solid Surfacing gives complete freedom to designers, affording virtually limitless scope in form and application. Formica Solid Surfacing has the appearance of polished stone, but is easy to work and handle.

Formica Solid Surfacing can be built up and machined into imaginative, decorative shapes, creating a completely monolithic effect. Using tungsten carbide tipped saws and cutters, Formica Solid Surfacing can be cut, drilled, routed or inlaid. Beautiful edge detail effects can be achieved as can patterns and striking contrasts.

Sheets of Formica Solid Surfacing can be butt-jointed using special colour-matched adhesive. The joint created is exceptionally strong. After finishing, joints are virtually invisible, giving the appearance in most instances of a completely seamless surface. Unique effects can be achieved in combination with other materials, such as wood, metal, tiles and other Formica decorative surfacing products.

Please refer to the Formica Solid Surfacing Fabrication Manual for full details.

For more information on products mentioned in this brochure please see:

- Formica Advice & Fast Samples
- Formica Corporate Brochure
- Formica Digital Brochure
- Formica Doors Brochure
- Formica Environments Brochure
- Formica Facts
- Formica Fabrication Support Unit
- Formica Materials
- Formica Range Brochure
- Formica Solid Surfacing Brochure
- Formica Specifier Clauses
- Formica Swatch Book
- Formica Washroom Brochure

Key to image references

Example: **SS-1641-3**

- SS** Solid Surfacing Brochure
- 1641** Item code
- 3** Page number

- Codes:
- SW** Swatch Book
 - SS** Solid Surfacing Brochure
 - RA** Range Brochure
 - AX** Axiom Brochure (Separate)
 - Formica Digital** Digital Brochure

